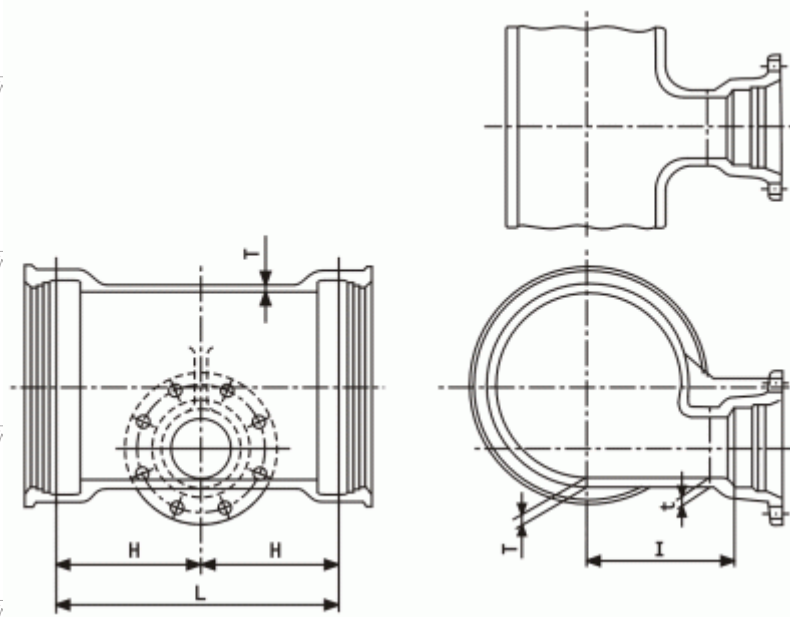




Type U Blow-Off



Unit: mm

Nominal size		Thickness		Dimensions			Weight (kg)
D	d	T	t	H	I	L	
700	300	17.0	15	455	450	910	516
800	300	18.0	15	465	500	930	631
900	300	19.0	15	475	550	950	743
1000	400	20.0	16	545	600	1090	932
1100	400	21.0	17	555	650	1110	1100
1200	400	22.0	18	575	700	1150	1260
1350	400	24.0	20	595	780	1190	1570
1500	400	26.0	22	615	850	1230	1920
1600	400	27.5	22	715	930	1430	2400
1650	400	28.0	22	725	950	1450	2540
1800	400	30.0	23	745	1030	1490	2990
2000	400	32.0	24	785	1130	1570	3700
2100	400	33.0	25	795	1180	1590	4050
2200	400	34.0	25	805	1240	1610	4400
2400	400	36.0	26	825	1350	1650	5220
2600	400	37.5	26	780	1400	1560	6300

Note: d bell shall be of K type.